

PROJECT: TONUKE



PROJECT: TONUKE

Tonuki bench is a unique furniture that combines beauty and function. Tonuki is a comfortable place to sit, a perfect cubby to hide wet shoes and a flower pot carefully crafted from natural solid wood.



PROJECT: TONUKE - INSPIRATIONS

Tonuki bench creates a smooth connection between exterior and interior. It is a piece of nature, combined with care and precision into useful furniture that welcomes you at the door step.



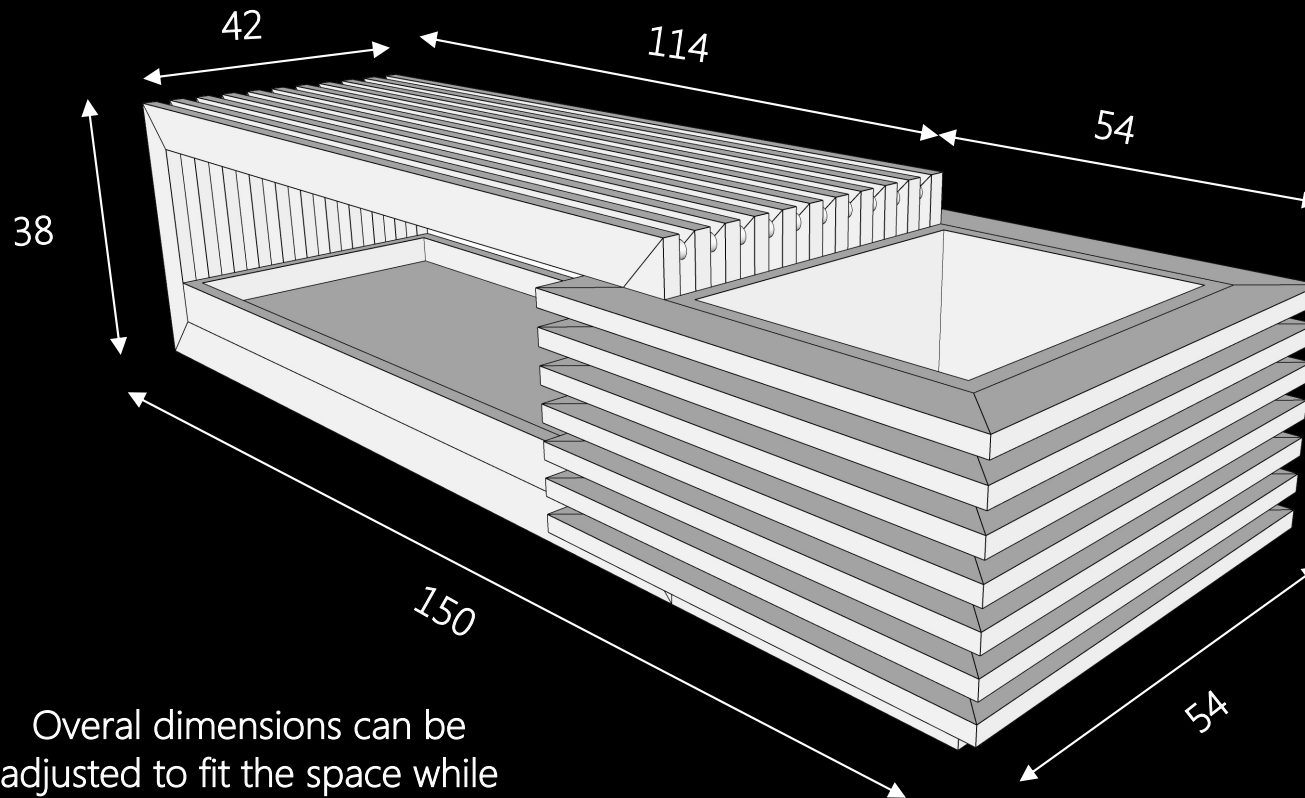
PROJECT: TONUKE - INSPIRATIONS

Tonuki owes its charm to the beauty of wood. Often not obvious beauty hidden in patterns and colors. Each piece is unique just as unique are different trees and their stories.



PROJECT: TONUKI - MATERIALS

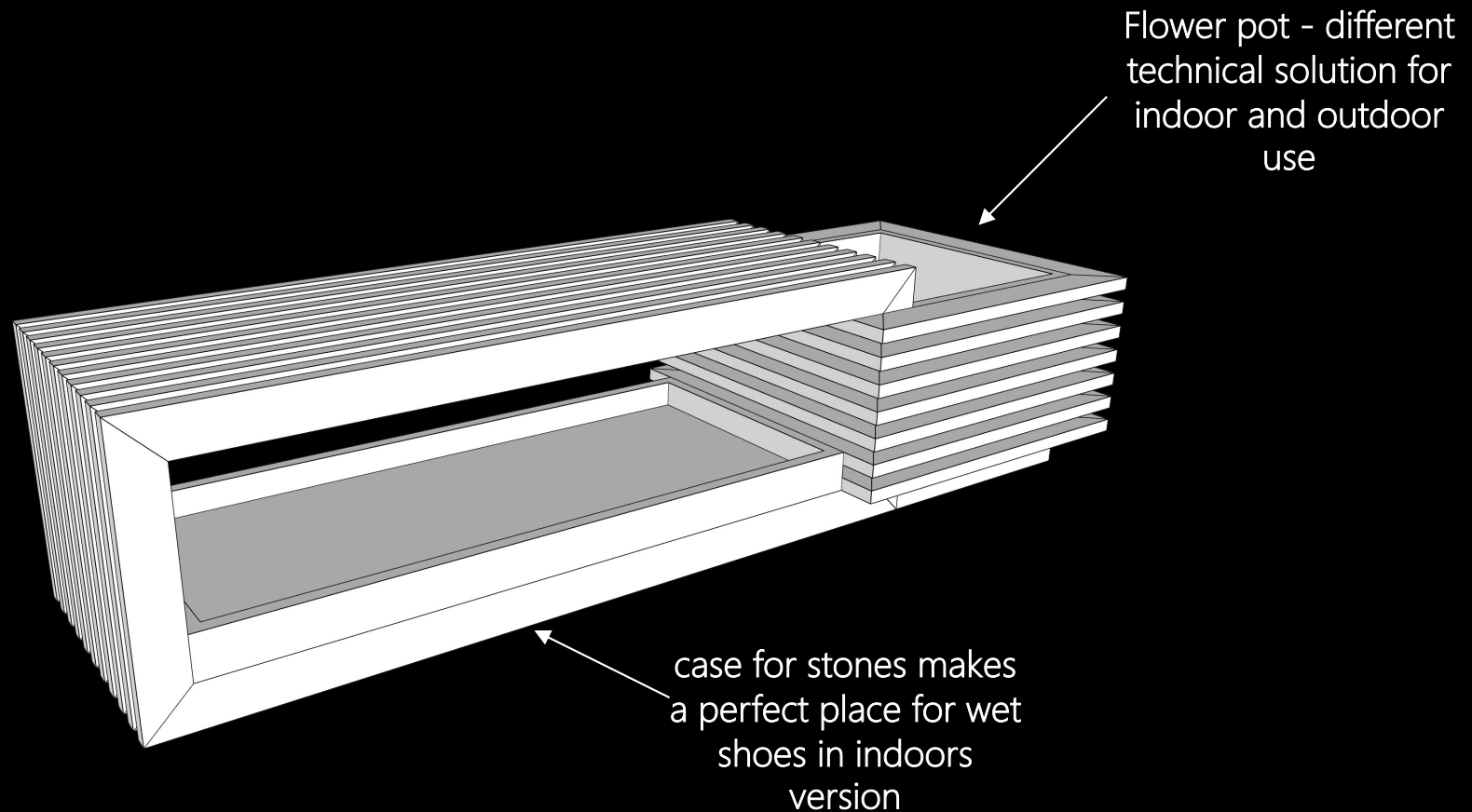
Form for Tonuki was invented to show, emphasis and express fully the beauty of wood used for creation. Choosing the right species and color allows Tonuki to fit in different ambientes.



Overall dimensions can be adjusted to fit the space while maintaining the proportions

PROJECT: TONUKE - MATERIALS

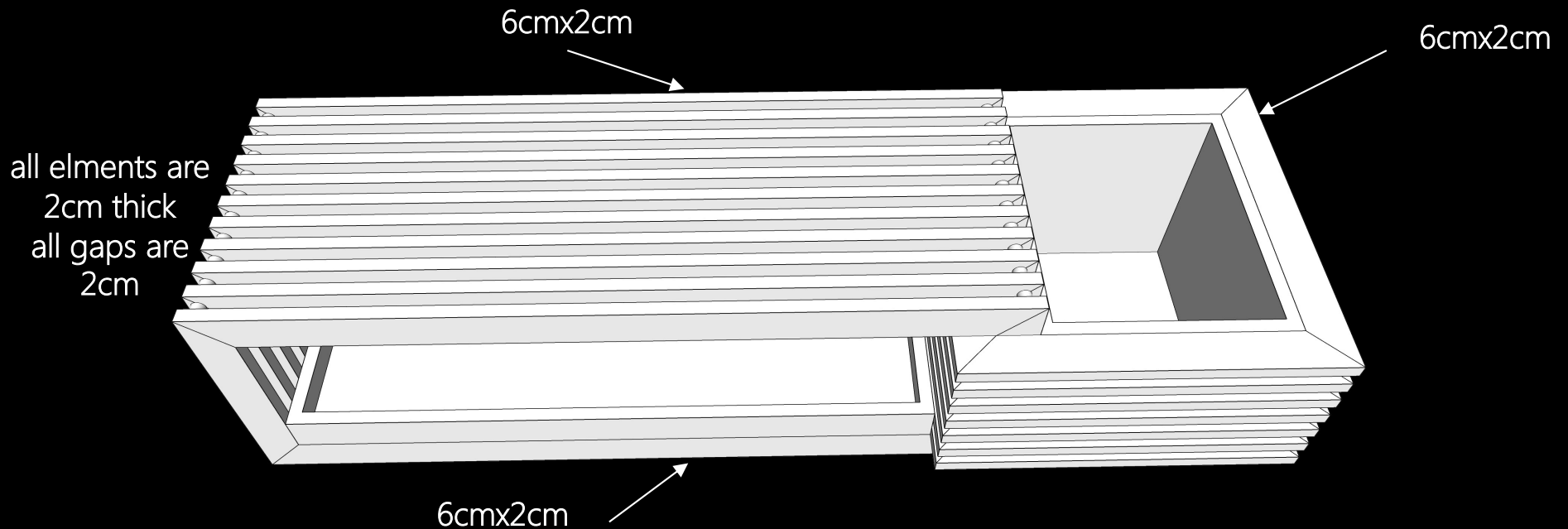
Tonuki bench can be crafted from any kind of wood, which makes it suitable for using indoors and outdoors depending on the chosen material.



PROJECT: TONUKE - ENVIRONMENTAL IMPACT

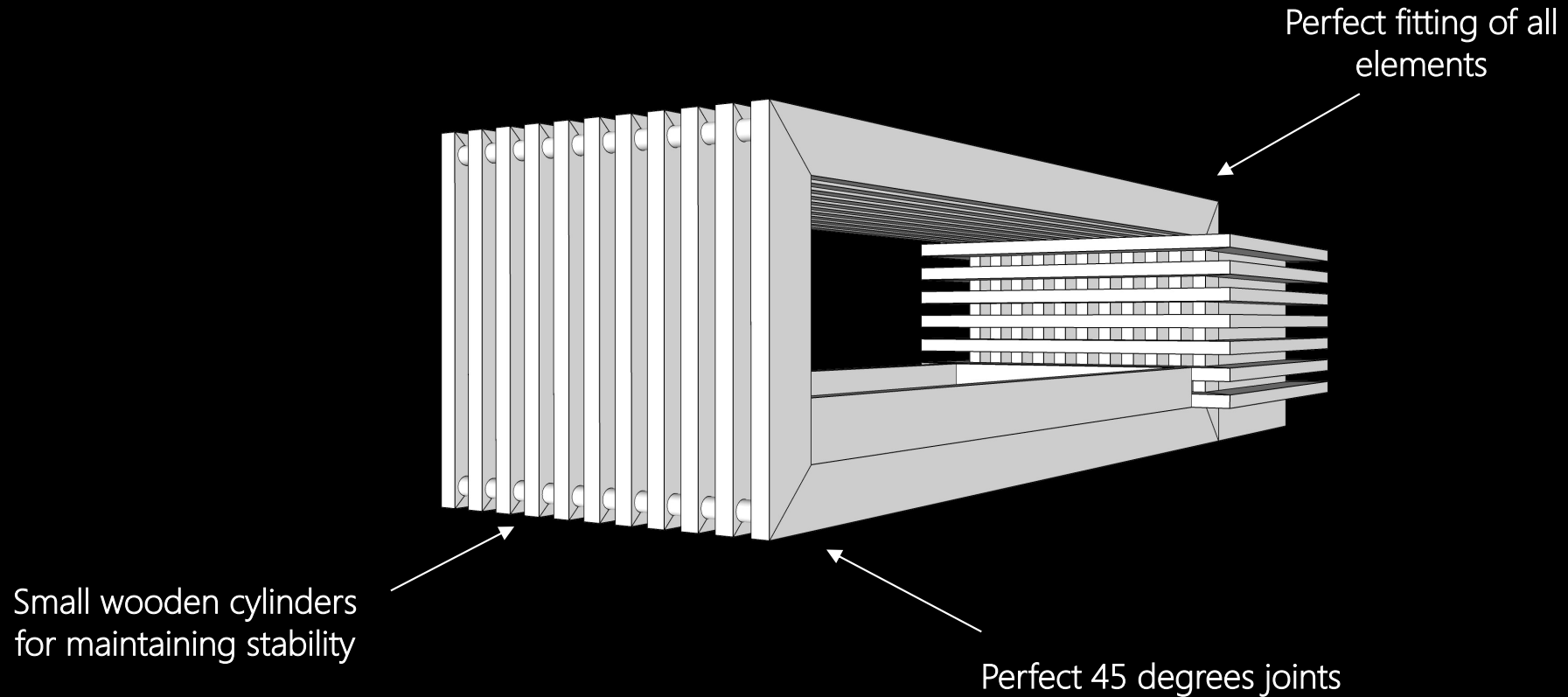
It was designed using only natural materials: wood and stone.

Tonuki is mostly made out of thin pieces, which makes it possible to use furniture waste in production. This way the whole process is not only cost efficient but also sustainable and zero waste.



PROJECT: TONUKE - COMPETITIVE ADVANTAGES

Tonuki bench is a perfect choice for aware and responsible consumers. Highly useful product and sculpture in one. Timeless design, true craftsmanship, durability of solid wood and multifunctionality makes this piece a furniture to use for years. It is all about doing more and better with less.



PROJECT: TONUKE - COSTS

Estimated cost of manufacture depends on the used type of wood.
It may differ from 400 euros to 2000 euros.

